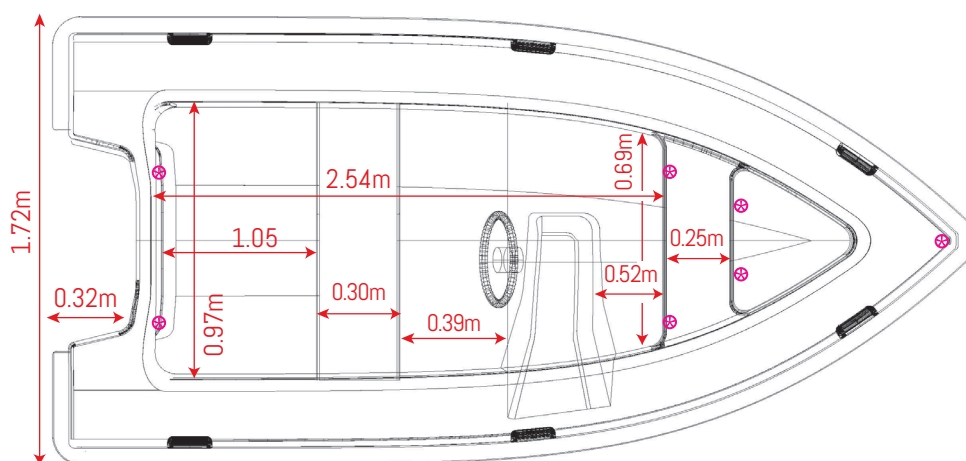
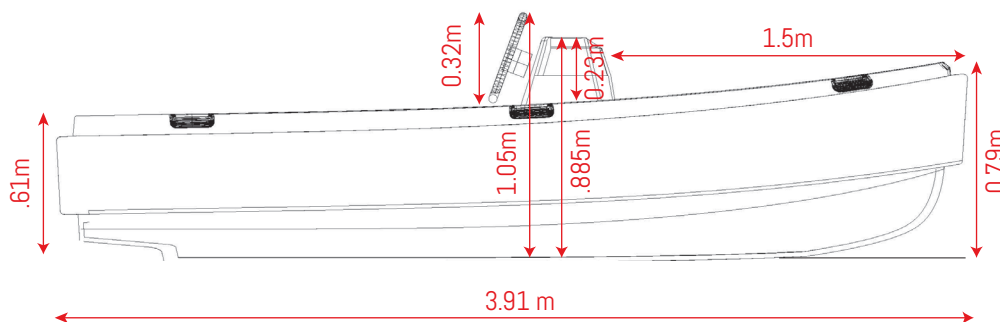


THE OC400HC CONSOLE TENDER

The Beast in Tuxedo. Our largest and most complete tender pulling all the stops without compromising the ethos that simplicity and efficiency comes hand in hand with practicality and results. Maximum space in tender size. Ideal for 6 plus pax. Weight include phifer rubrail and full alloy delta.

Overall length (m/ft)	3.91m	12.83ft
Overall width (m/ft)	1.72m	5.64ft
Bow top side height	0.79m	2.59ft
Stern top side height	0.61m	2ft
Carbon hull weight incl. phifer rubrail and full alloy delta	78kg	187lb
Recommended max hp	Short Shaft	20hp
Max load	602kg	1327lb



⊗ Davit lifting points

MODEL INCLUDES

- Tender
- Side arm console
- Cushion bench seat
- Black rub rail cover
- Full non skid on deck & cockpit floor
- 40cm X 40cm stern drag plate
- Delta point drop plate
- Oarlocks & Oars
- Anchor bag
- Mesh tank bulkhead
- Two side storage bags
- One seat block
- Large draining bung
- Davit lifting eyes (3 sets)
- Floating painter
- Bow guard

ACCESSORIES

- Full Carbon construction
- Custom colour Rub Rail cover
- Phifer rub rail cover
- Full boat cover
- 1.2mm Alloy Delta Panel – 2.5kg
- Vinyl Name cutting ("Tender to S.V. ...")
- Fishing Rod Holders (sold in pairs)
- Telescopic ladder (3 steps)
- Wheels (retractable)
- Folding Bimini (starport installed)
- Board rack
- Anchor pack
- Bow lid
- Custom lifting points
- Extra drain plug
- Two Folding & removable seat



+64 9 974 6745
 info@octenders.com
 facebook.com/octenders
 instagram.com/octenders
 octenders.com

PO Box 101
 Paihia, 0200
 Bay of Islands
 New Zealand