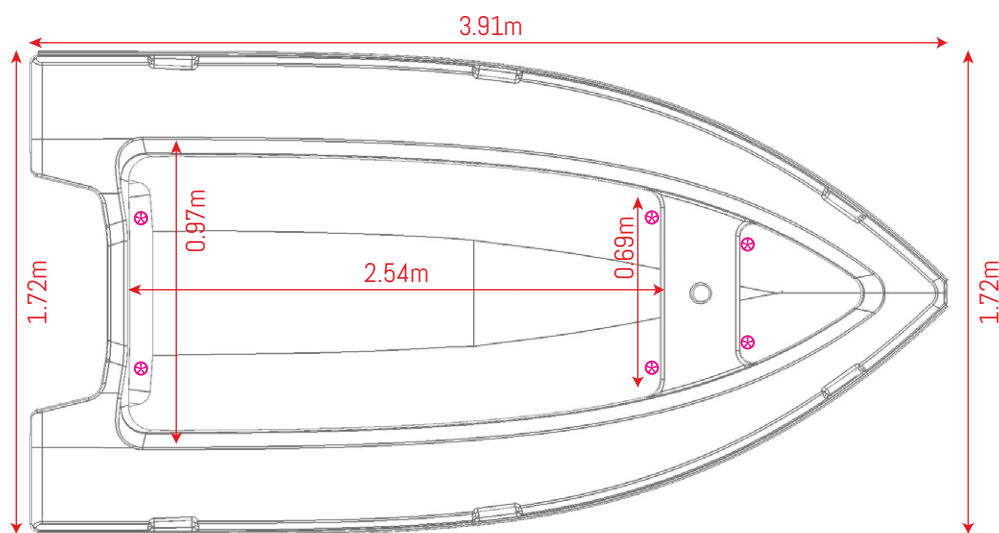
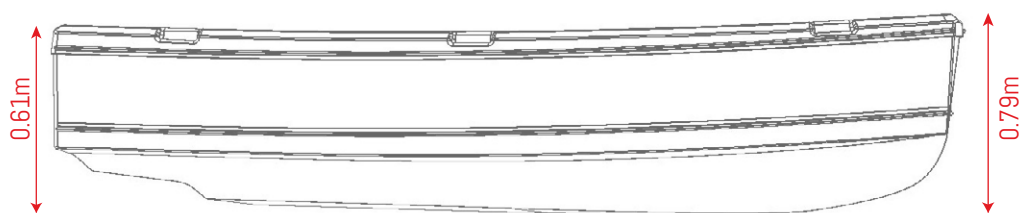


SPECIFICATIONS

THE OC400 TENDER

Our largest tender made in full carbon only.
Maximum efficiency, minimal weight.

Overall length (m/ft)	3.91m	112.82ft
Overall width (m/ft)	1.72m	5.64ft
Bow top side height	0.79m	2.59ft
Stern top side height	0.61m	2ft
Carbon hull weight <small>incl. phifer rubrail and full alloy delta</small>	67kg	147.7lb
Recommended max hp	Short shaft	20hp
Max load	602kg	1327.18lb



⊗ Davit lifting points

MODEL INCLUDES

Tender Full carbon only
Phifer rub rail cover: Black, Beige, Grey
Full non skid on deck & cockpit floor
Full alloy Delta plate
Wheel pack
Oarlocks & Oars
Anchor bag
Pocket Mesh tank bulkhead
Four side storage bags
Two seat blocks
Large draining bung
Davit lifting eyes (3 sets)
Floating painter
Tiller extension
Double compression post
Bow Rub streak protection

ACCESSORIES

Full boat cover
Fishing Rod Holders (sold in pairs)
Telescopic ladder (3 steps)
Navigation lights (Railblaza NaviPack)
Board rack
Anchor Pack



+64 9 974 6745
info@octenders.com
facebook.com/octenders
instagram.com/octenders
octenders.com

PO Box 101
 Paihia, 0200
 Bay of Islands
 New Zealand