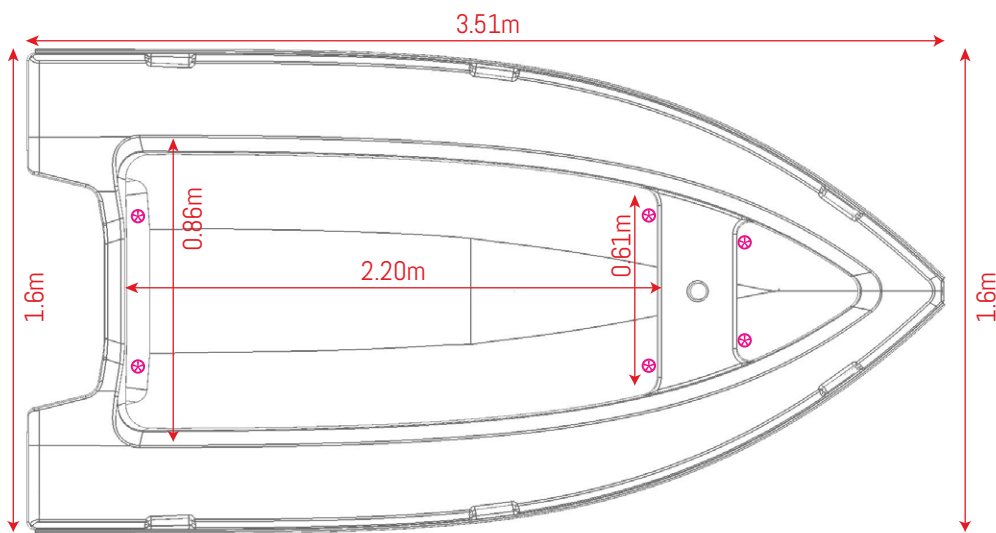
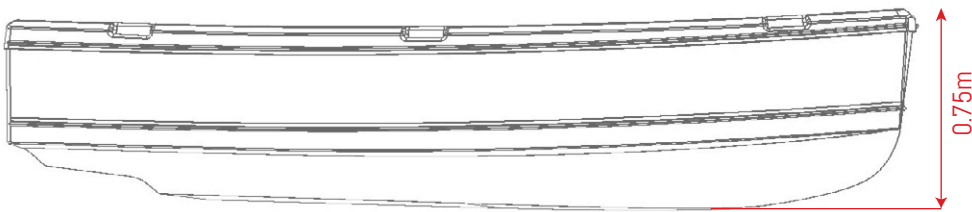


## SPECIFICATIONS

### THE OC350 TENDER

The ultimate explorer tender. Go the distance, carry your toys, and all your crew to where you need to be.

|                         |             |         |
|-------------------------|-------------|---------|
| Overall length (m/ft)   | 3.51m       | 11.52ft |
| Overall width (m/ft)    | 1.60m       | 5.03ft  |
| Hull top side height    | 0.44m       | 1.04ft  |
| Nett hull weight        | 54kg        | 119lb   |
| Nett carbon hull weight | 44kg        | 97lb    |
| Recommended max hp      | Short Shaft | 15hp    |
| Max load                | 448kg       | 988lb   |



⊗ Davit lifting points

### MODEL INCLUDES

|                                       |
|---------------------------------------|
| Tender                                |
| Black rub rail cover                  |
| Full non skid on deck & cockpit floor |
| 40cm X 40cm stern drag plate          |
| Delta point drop plate                |
| Oarlocks & Oars                       |
| Anchor bag                            |
| Mesh tank bulkhead                    |
| Two side storage bags                 |
| Two seat blocks                       |
| Large draining bung                   |
| Davit lifting eyes (3 sets)           |
| Floating painter                      |
| Tiller extension                      |

### ACCESSORIES

|   |
|---|
| Full Carbon construction                  |
| Custom colour Rub Rail cover              |
| Full boat cover                           |
| 1.2mm Alloy Delta Panel – 2.5kg           |
| Vinyl Name cutting ("Tender to S.V. ...") |
| Fishing Rod Holders (sold in pairs)       |
| Telescopic ladder (3 steps)               |
| Wheels (retractable)                      |
| Navigation lights (Railblaza NaviPack)    |
| Board rack                                |



+64 9 974 6745  
 info@octenders.com  
 facebook.com/octenders  
 instagram.com/octenders  
 octenders.com

PO Box 101  
 Paihia, 0200  
 Bay of Islands  
 New Zealand