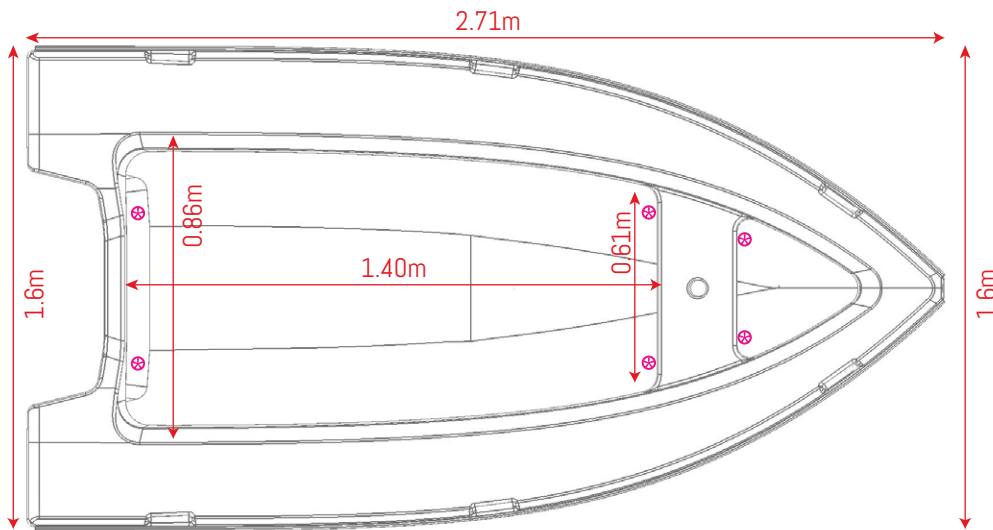
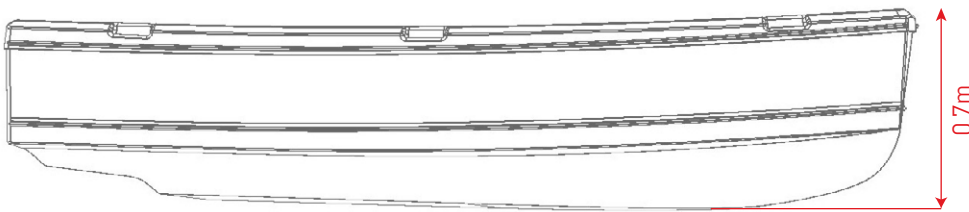


## SPECIFICATIONS

### THE OC270 TENDER

Our smallest version with all the volume and performance you require. Great fit for duckboards and decks. Perfect for a cruising couple.

Overall length (m/ft)	2.71m	8.89ft
Overall width (m/ft)	1.60m	5.03ft
Hull top side height	0.44m	1.04ft
Nett hull weight	36kg	77lb
Nett carbon hull weight	29kg	64lb
Recommended max hp	Short Shaft	8hp
Max load	295kg	650lb



⊗ Davit lifting points

### MODEL INCLUDES

Tender
Black rub rail cover
Full non skid on deck & cockpit floor
40cm X 40cm stern drag plate
Delta point drop plate
Oarlocks & Oars
Anchor bag
Mesh tank bulkhead
Two side storage bags
Two seat blocks
Large draining bung
Davit lifting eyes (3 sets)
Floating painter
Tiller extension

### ACCESSORIES

Full Carbon construction
Custom colour Rub Rail cover
Full boat cover
1.2mm Alloy Delta Panel – 2.5kg
Vinyl Name cutting ("Tender to S.V. ...")
Fishing Rod Holders (sold in pairs)
Telescopic ladder (3 steps)
Wheels (retractable)
Navigation lights (Railblaza NaviPack)
Board rack



+64 9 974 6745  
 info@octenders.com  
 facebook.com/octenders  
 instagram.com/octenders  
 octenders.com

PO Box 101  
 Paihia, 0200  
 Bay of Islands  
 New Zealand