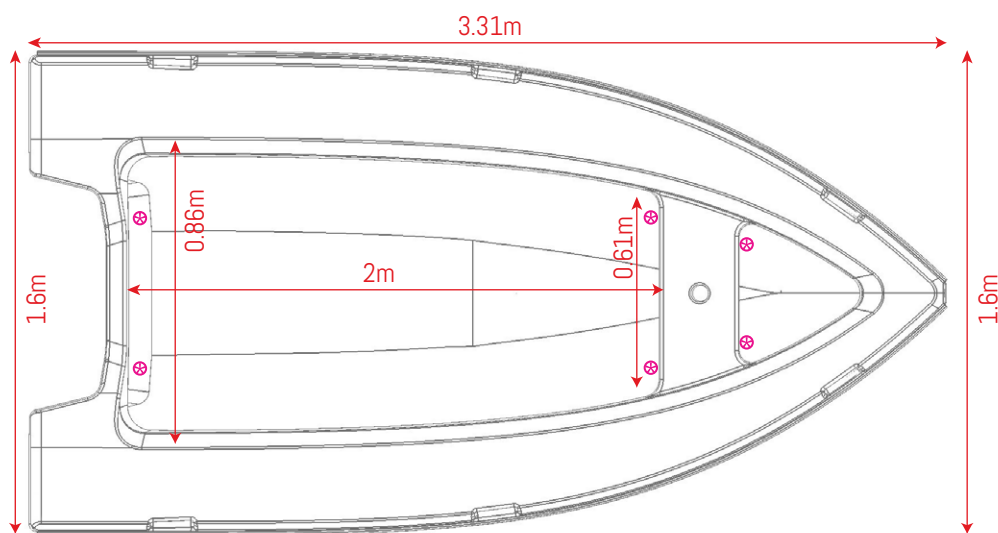
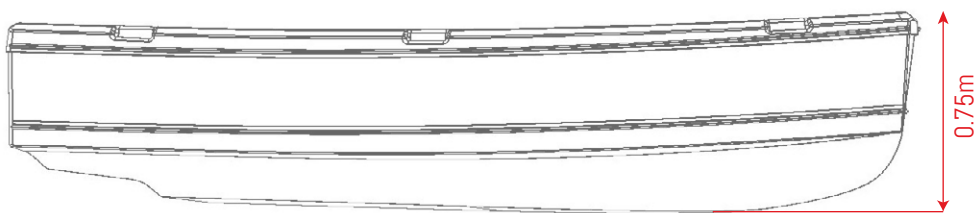


## SPECIFICATIONS

### THE OC330 TENDER

Have all the advantages of an OC350 with an OC330 fit.  
Great performance and volume for exploring in a more compact size.  
Great for a crew of 4 full time cruising.

Overall length (m/ft)	3.31m	10'86"
Overall width (m/ft)	1.60m	5'03"
Hull top side height	0.44m	1'04"
Nett hull weight	48kg	105lb
Nett carbon hull weight	39kg	86lb
Recommended max hp	Short Shaft	15hp
Max load	373kg	822lb



⊗ Davit lifting points

### MODEL INCLUDES

Tender
Black rub rail cover
Full non skid on deck & cockpit floor
40cm X 40cm stern drag plate
Delta point drop plate
Oarlocks & Oars
Anchor bag
Mesh tank bulkhead
Two side storage bags
Two seat blocks
Large draining bung
Davit lifting eyes (3 sets)
Floating painter
Tiller extension

### ACCESSORIES

Full Carbon construction
Custom colour Rub Rail cover
Full boat cover
1.2mm Alloy Delta Panel – 2.5kg
Vinyl Name cutting ("Tender to S.V. ...")
Fishing Rod Holders (sold in pairs)
Telescopic ladder (3 steps)
Wheels (retractable)
Navigation lights (Railblaza NaviPack)
Board rack

