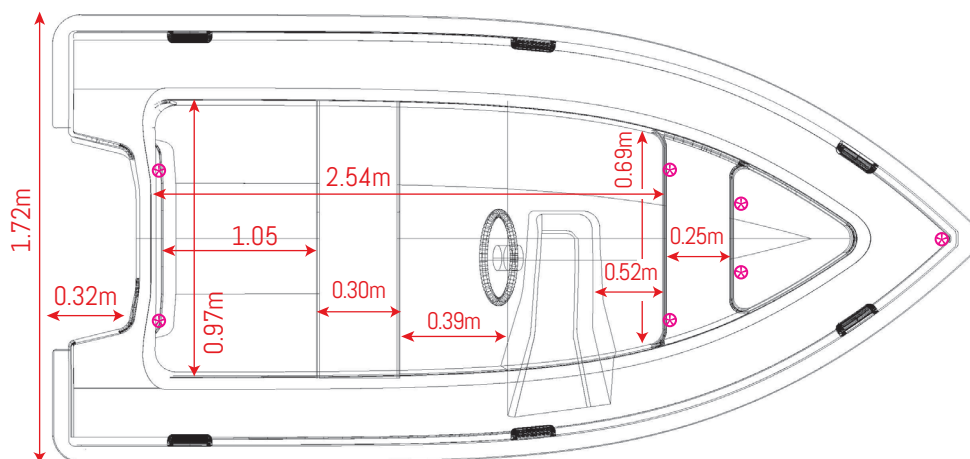
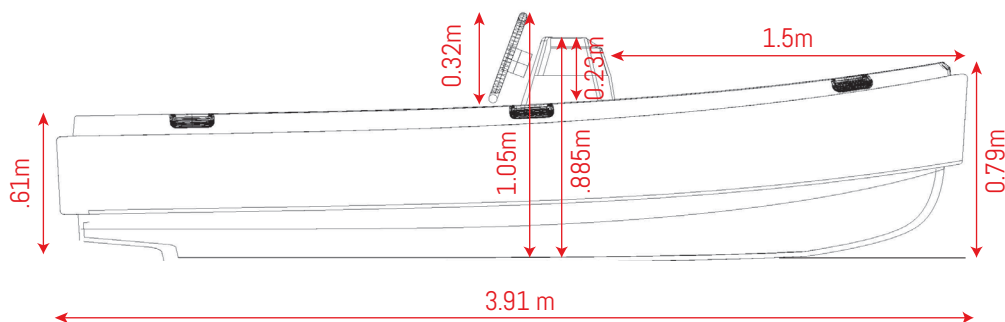


# THE OC400HC CONSOLE TENDER

The Beast in Tuxedo. Our largest and most complete tender pulling all the stops without compromising simplicity and efficiency. Ideal for 6 plus pax. Weight include all full non skid, deck and hull, rubstreak, full alloy protection, phifer rubrail, side arm console, steering wheel & cables, bench seat and cushion. Pair of seats on brackets optional.

Overall length (m/ft)	3.91m	12.83ft
Overall width (m/ft)	1.72m	5.64ft
Bow top side height	0.79m	2.59ft
Stern top side height	0.61m	2ft
Carbon hull weight incl. phifer rubrail and full alloy delta	78kg	187lb
Recommended max hp	Short Shaft	20hp
Max load	602kg	1327lb



⊗ Davit lifting points

## MODEL INCLUDES

- Tender full carbon only
- Phifer rub rail cover: Black, Beige, Grey
- Full non skid on deck & cockpit floor
- Full alloy Delta plate
- Wheel pack
- Oarlocks & Oars
- Anchor bag
- Pocket Mesh tank bulkhead
- Four side storage bags
- Two seat blocks
- Large draining bung
- Davit lifting eyes (3 sets)
- Floating painter
- Tiller extension
- Double compression post
- Bow rub strake protection

## ACCESSORIES

- Full boat cover
- Fishing Rod Holders (sold in pairs)
- Telescopic ladder (3 steps)
- Bowlid
- Board rack
- Anchor Pack
- Bimini
- Custom lifting points



+64 9 974 6745  
 info@octenders.com  
 facebook.com/octenders  
 instagram.com/octenders  
 octenders.com

PO Box 101  
 Paihia, 0200  
 Bay of Islands  
 New Zealand