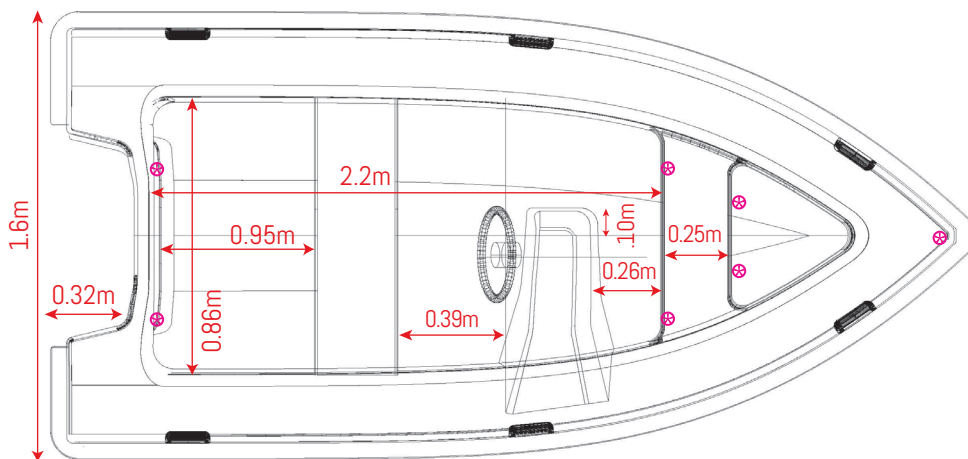
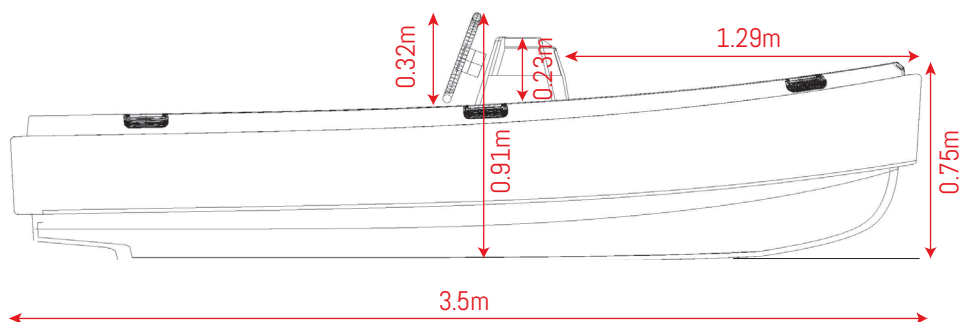


OC350HC CONSOLE TENDER

The Big Mamma tender with creature comforts. Recommended for 5 people. State specs are for tender with full non skid, deck and hull, rubstreak, standard alloy protection, side arm console, steering wheel & cables, bench seat and cushion. Pair of seats on brackets optional.

| | | |
|-----------------------|-------------|----------|
| Overall length (m/ft) | 3.5m | 11.5ft |
| Overall width (m/ft) | 1.60m | 5.24ft |
| Glass Tender weight | 64kg | 156lb |
| Carbon Tender weight | 54kg | 134lb |
| Recommended max hp | Short Shaft | Max 20hp |
| Max load | 455kg | 1003lb |



⊗ Davit lifting points

MODEL INCLUDES

| |
|---------------------------------------|
| Tender |
| Side arm console |
| Cushion bench seat |
| Black rub rail cover |
| Full non skid on deck & cockpit floor |
| 40cm X 40cm stern drag plate |
| Delta point drop plate |
| Oarlocks & Oars |
| Anchor bag |
| Mesh tank bulkhead |
| Two side storage bags |
| One seat block |
| Large draining bung |
| Davit lifting eyes (3 sets) |
| Floating painter |
| Bow guard |

ACCESSORIES

| |
|---|
| Full Carbon construction |
| Custom colour Rub Rail cover |
| Phifer rub rail cover |
| Full boat cover |
| 1.2mm Alloy Delta Panel – 2.5kg |
| Vinyl Name cutting ("Tender to S.V. ...") |
| Fishing Rod Holders (sold in pairs) |
| Telescopic ladder (3 steps) |
| Wheels (retractable) |
| Folding Bimini (starport installed) |
| Board rack |
| Anchor pack |
| Bow lid |
| Custom lifting points |
| Extra drain plug |
| Two Folding & removable seat (7Kg) |



+64 9 974 6745
 info@octenders.com
 facebook.com/octenders
 instagram.com/octenders
 octenders.com

PO Box 101
 Paihia, 0200
 Bay of Islands
 New Zealand